

PL series

Heat resisting casters

High temp.



kg 60 ~ 100 kg

✓ RoHS






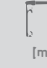

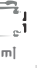
- Carts for hospitals, hotels or restaurants
- Carts for oven, clean room
- Carts for steam room

Temperature

-10 / +250°C



✓ Recommended Load = Load Cap. X 3 ✓ Temp. Range : -10 ~ 250°C

Swivel	Rigid	Swivel/Brake	WHEEL TYPES	 [mm]	 [mm]	 [kg]	 [mm]	 [mm]	 [mm]	 [mm]	 [mm]
PL-75-ASF	PL-75-ARF		FRD	75	30	60	112.5	40	95x64	78x45 72x45	9
PL-100-ASF	PL-100-ARF		FRD	100	30	80	137.5	40	95x64	78x45 72x45	9
PL-125-ASF	PL-125-ARF		FRD	125	30	100	162.5	40	95x64	78x45 72x45	9

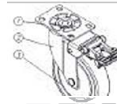
CasterDepot®

✓ Wheel types

FRD

- Fluoro rubber(Shore A85)
- Aluminum core
- 2 Ball bearings

✓ Materials



- ① Top plate : Pressed steel
- ② Frame : Pressed steel
- ③ Wheel : Refer to wheel types
- ④ Finish : Zinc galvanized

✓ Options

PL series

Heat resisting casters

High temp.

kg 60 ~ 100 kg

✓ RoHS

- Carts for hospitals, hotels or restaurants
- Carts for oven, clean room
- Carts for steam room

Temperature

-10 / +250°C



Swivel

Rigid

Swivel/Brake

WHEEL TYPES

✓ Recommended Load = Load Cap. X 3 ✓ Temp. Range : -10 ~ 250°C

PL-75-ASF

-

-

FRD



75

30

60

112.5

40

5/8"-11UNC
M12x1.75P
1/2"-12UNC

10.5+25

22

PL-100-ASF

-

-

FRD

100

30

80

137.5

40

5/8"-11UNC
M12x1.75P
1/2"-12UNC

10.5+25

22

PL-125-ASF

-

-

FRD

125

30

100

162.5

40

5/8"-11UNC
M12x1.75P
1/2"-12UNC

10.5+25

22

✓ Wheel types

FRD



- Fluoro rubber(Shore A85)
- Aluminum core
- 2 Ball bearings

✓ Materials



- ① Top plate : Pressed steel
- ② Frame : Pressed steel
- ③ Wheel : Refer to wheel types
- ④ Finish : Zinc galvanized

✓ Options

CasterDepot®