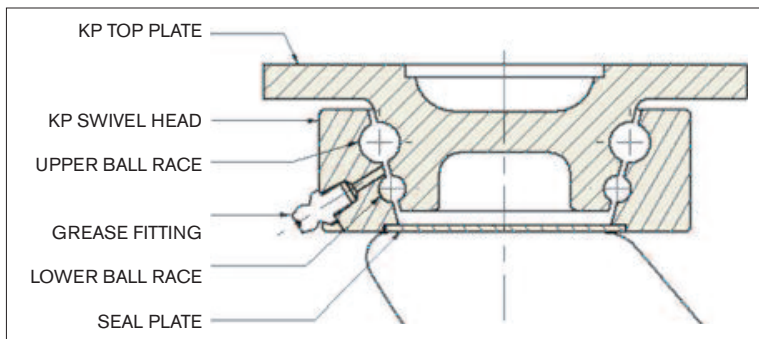


FEATURES



31-KP408-PSE

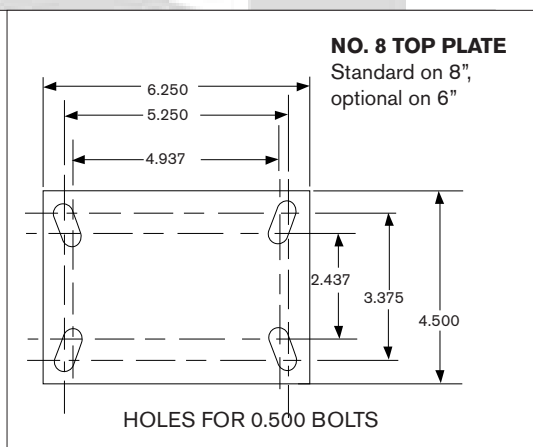
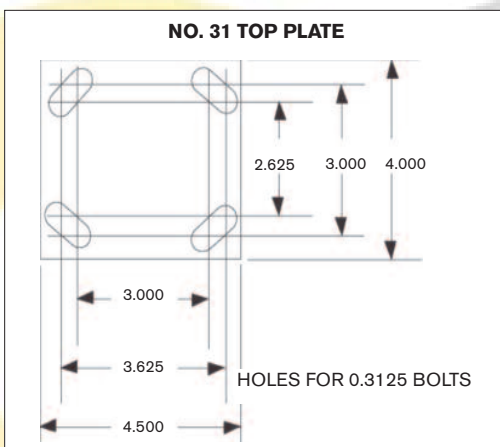


- Heavy duty construction
- High tolerance for shock and impact loading
- Ideal for noise reduction
- Lowest rolling resistance, start and swiveling forces
- Hardened dual-case raceway construction for dependability and durability

INSTALLATIONS



31-KP406-PSE



WHEEL DIAMETER	TREAD WIDTH	LOAD CAP./LBS	BEARING TYPE	SWIVEL MODEL	RIGID MODEL	SWIVEL RADIUS	OVERALL HEIGHT
NEOPRENE							
6"	2"	500	ROLLER	31-KP406-TD	31-406R-TD	5-5/8"	7-11/16"
6"	2"	600	PRECISION BALL	31-KP406-PD	31-406R-PD	5-5/8"	7-11/16"
8"	2"	500	ROLLER	8-KP408-TD	31-406R-TD	6-5/8"	9-3/4"
8"	2"	600	PRECISION BALL	8-KP408-PD	31-406R-PD	6-5/8"	9-3/4"
LOW EFFORT URETHANE							
6"	2"	700	PRECISION BALL	31-KP406-PLE	31-406R-PLE	5-5/8"	7-11/16"
8"	2"	800	PRECISION BALL	8-KP408-PLE	31-406R-PLE	6-5/8"	9-3/4"
URETHANE							
6"	1-7/8"	1000	ROLLER	31-KP406-TU	31-406R-TU	5-5/8"	7-11/16"
8"	1-7/8"	1000	ROLLER	8-KP408-TU	31-406R-TU	6-5/8"	9-3/4"
SEMI-STEEL							
6"	1-7/8"	1000	ROLLER	31-KP406-TCI	31-406R-TCI	5-5/8"	7-11/16"
8"	1-7/8"	1000	ROLLER	8-KP408-TCI	31-406R-TCI	6-5/8"	9-3/4"
SOLID ELASTOMER							
6"	2"	1100	PRECISION BALL	31-KP406-PSE	31-406R-PSE	5-5/8"	7-11/16"
8"	2"	1200	PRECISION BALL	8-KP408-PSE	31-406R-PSE	6-5/8"	9-3/4"
SEMI-STEEL							
6"	2"	1200	ROLLER	31-KP406-PSX	31-406R-PSX	5-5/8"	7-11/16"
8"	2"	1300	ROLLER	8-KP408-PSX	31-406R-PSX	6-5/8"	9-3/4"