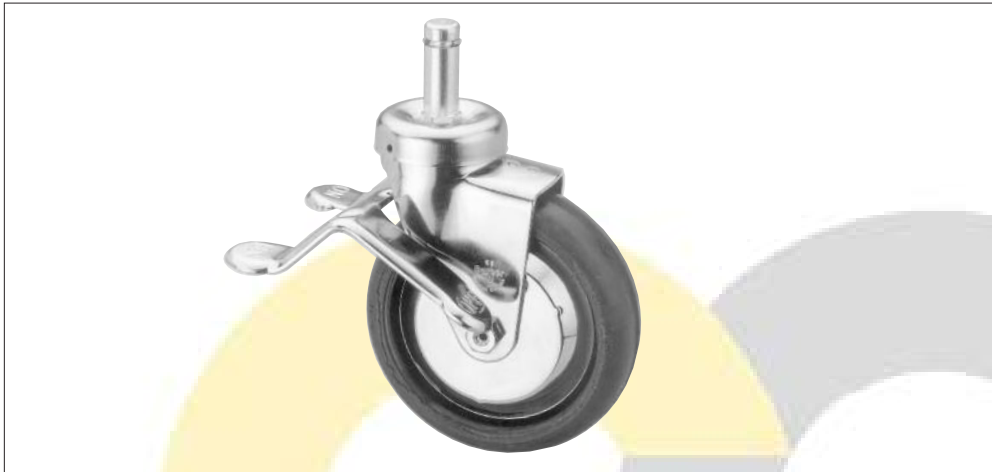
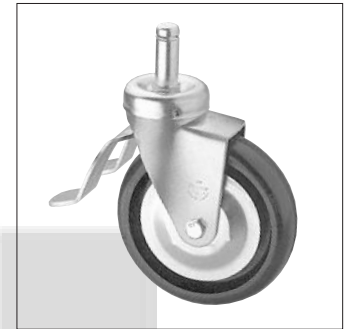


FEATURES

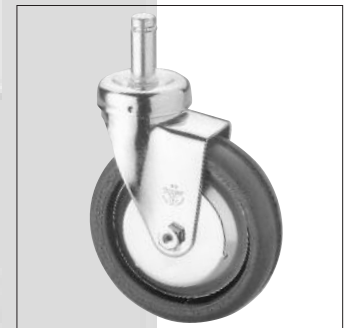
Designed with a cam action locking mechanism, the lever easily engages and disengages with the touch of a toe. As well as offering easy access, the lever design keeps it within the swivel radius of the caster, eliminating any interference. The assembly is available with nickel chrome finish (BC5) or zinc finish (BC45) and equipped with our non-marking Super Roll neoprene wheel complete with ball bearings.



OU125-BC5B2-XSR



OU-BC65B-XSR



OU-BC5-XSR

KEYWAY SOCKETS AND STEM -

Prevents stem from turning inside socket. For use with hospital bed total lock brakes.

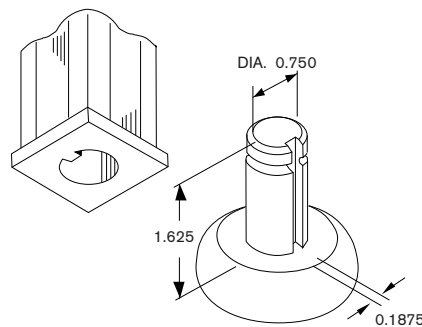
- CSK 125 - Fits inside 1-1/4"
14 Gauge square tubing
- CSK 150 - Fits inside 1-1/2"
18 Gauge square tubing
- CSK 158 - Fits inside 1-5/8"
16 Gauge round tubing

ADAPTER AND STEM LOCK SOCKET -

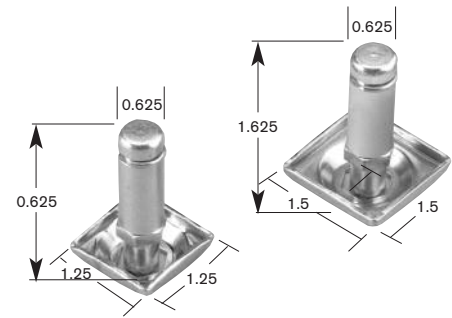
Prevents stem from turning. For use with hospital bed total lock brakes.

- OU 125 - Fits over 1-1/4"
OD square tubing
- OU 150 - Fits over 1-1/2"
OD square tubing

KEYWAY SOCKET AND STEM



ADAPTER AND STEM LOCK SOCKET



WHEEL DIAMETER	TREAD WIDTH	LOAD CAP./LBS	BEARING TYPE	SWIVEL MODEL	BRAKE MODEL	SWIVEL RADIUS	OVERALL HEIGHT
NEOPRENE SUPER ROLL							
4"	1-3/8"	275	BALL	OU-BC64-XSR	OU-BC64B-XSR*	3-1/4"	5-3/8"
5"	1-3/8"	325	BALL	OU-BC65-XSR	OU-BC65B-XSR*	4"	6-3/8"

- B2 brake casters available on BC64 and BC65 casters with additional charge.

- All bed casters shown with OU 5/8" x 1-5/8" grip ring stem, optional stems and sockets as shown. Also available with all 60 series stems and top plates see pages 14,15 and 16.

* Stems should be secured on brake casters to prevent turning when swivel lock is engaged.