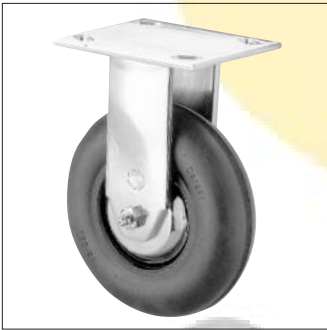




31-CW76-XD



31-CW76B-XD



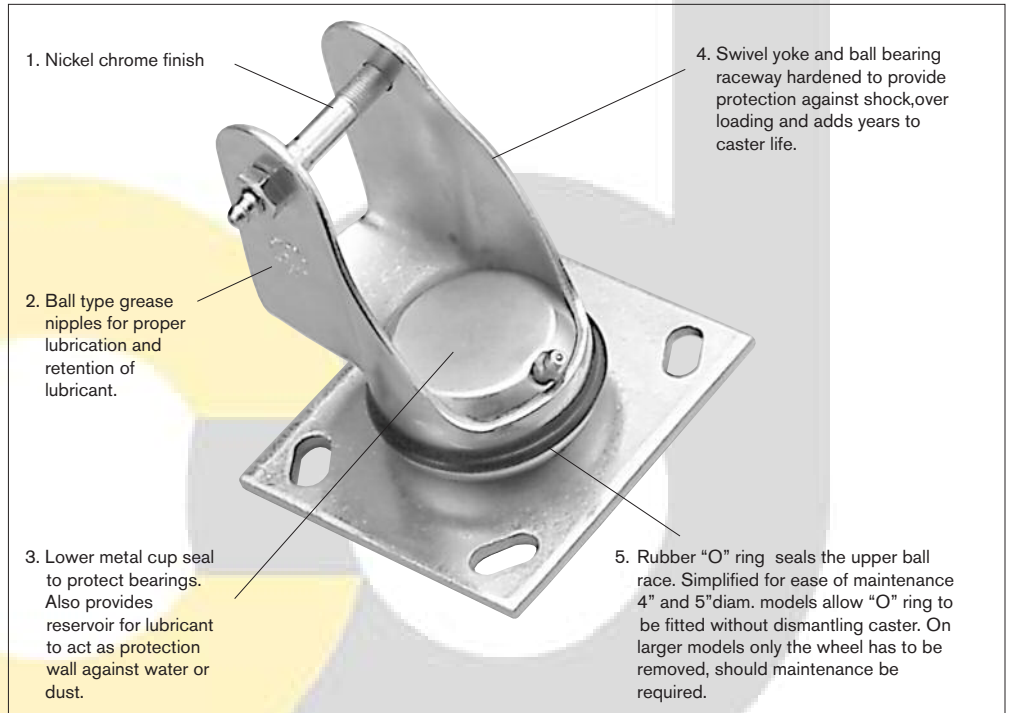
31-CW76R-XD



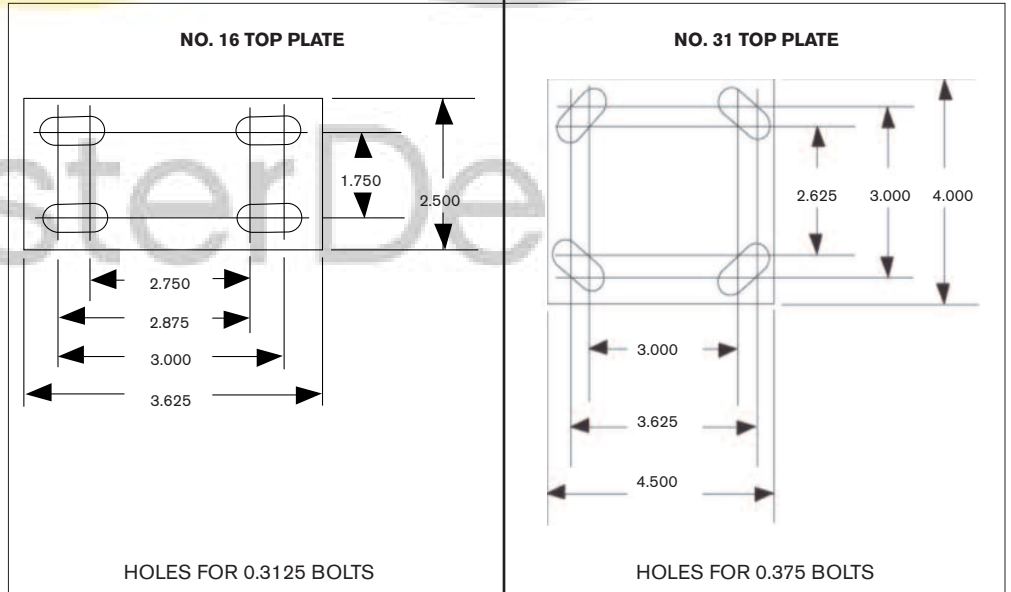
31-CW76F-XSR

FEATURES

After years of actual experiments and hundreds of tests, we have developed a line of casters to reduce rusting under wet conditions. Hospital laundries and dietary departments, plus hotel and motel areas concerned with sanitary operations will find the cartwashable design reduces maintenance and provides extra life both to the casters and equipment. The medium and heavy duty models are ideally suited to the sanitary conditions dictated by experimental and pharmaceutical laboratories as well as firms connected to the meat packing and food industries.



INSTALLATIONS



OPTIONAL STEMS AND PLATES AVAILABLE UPON REQUEST. CARTWASHABLE™ IS A REGISTERED TRADEMARK OF DARCOR LIMITED.

CASTERS

| WHEEL DIA. | TREAD WIDTH | LOAD CAP./LBS | BEARING TYPE | SWIVEL MODEL | RIGID MODEL | SWIVEL RADIUS | OVERALL HEIGHT |
|----------------------------|-------------|---------------|----------------|--------------|---------------|---------------|----------------|
| NEOPRENE | | | | | | | |
| 4" | 1-3/8" | 225 | BALL | 16-CW64-XD | 16-CW64R-XD | 3-1/4" | 5-3/8" |
| 4" | 1-3/8" | 250 | BALL | 31-CW74-XD | 31-CW74R-XD | 3-1/2" | 5-9/16" |
| 5" | 1-3/8" | 250 | BALL | 16-CW65-XD | 16-CW65R-XD | 4" | 6-3/8" |
| 5" | 1-3/8" | 275 | BALL | 31-CW75-XD | 31-CW75R-XD | 4" | 6-5/8" |
| 5" | 2" | 450 | ROLLER | 31-CW405-TD | 31-CW405R-TD | 4-1/4" | 6-11/16" |
| 5" | 2" | 550 | PRECISION BALL | 31-CW405-PD | 31-CW405R-PD | 4-1/4" | 6-11/16" |
| 6" | 1-5/8" | 300 | BALL | 31-CW76-XD | 31-CW76R-XD | 4-7/8" | 7-9/16" |
| 6" | 2" | 500 | ROLLER | 31-CW406-TD | 31-CW406R-TD | 4-5/8" | 7-11/16" |
| 6" | 2" | 600 | PRECISION BALL | 31-CW406-PD | 31-CW406R-PD | 4-5/8" | 7-11/16" |
| 8" | 2" | 500 | ROLLER | 31-CW408-TD | 31-CW408R-TD | 5-3/4" | 9-3/4" |
| 8" | 2" | 600 | PRECISION BALL | 31-CW408-PD | 31-CW408R-PD | 5-3/4" | 9-3/4" |
| SUPER ROLL NEOPRENE | | | | | | | |
| 4" | 1-3/8" | 250 | BALL | 16-CW64-XSR | 16-CW64R-XSR | 3-1/4" | 5-3/8" |
| 4" | 1-3/8" | 300 | BALL | 31-CW74-XSR | 31-CW74R-XSR | 3-1/2" | 5-9/16" |
| 5" | 1-3/8" | 275 | BALL | 16-CW65-XSR | 16-CW65R-XSR | 4" | 6-3/8" |
| 5" | 1-3/8" | 350 | BALL | 31-CW75-XSR | 31-CW75R-XSR | 4" | 6-5/8" |
| 6" | 1-1/2" | 400 | BALL | 31-CW76-XSR | 31-CW76R-XSR | 4-7/8" | 7-9/16" |
| SOLID ELASTOMER | | | | | | | |
| 4" | 1-3/8" | 600 | PRECISION BALL | 31-CW74-PSE | 31-CW74R-PSE | 3-1/2" | 5-9/16" |
| 5" | 1-3/8" | 600 | PRECISION BALL | 31-CW75-PSE | 31-CW75R-PSE | 4" | 6-5/8" |
| 5" | 2" | 1000 | PRECISION BALL | 31-CW405-PSE | 31-CW405R-PSE | 4-1/4" | 6-11/16" |
| 6" | 1-3/8" | 600 | PRECISION BALL | 31-CW76-PSE | 31-CW76R-PSE | 4-7/8" | 7-9/16" |
| 6" | 2" | 1000 | PRECISION BALL | 31-CW406-PSE | 31-CW406R-PSE | 4-5/8" | 7-11/16" |
| 8" | 2" | 1000 | PRECISION BALL | 31-CW408-PSE | 31-CW408R-PSE | 5-3/4" | 9-3/4" |

WHEELS

| WHEEL DIA. | TREAD WIDTH | LOAD CAP./LBS | BALL BEARING | ROLLER BEARING | PRECISION BALL BEARING SEALED | BORE SIZE | HUB LENGTH | SERIES USED IN |
|-------------------------------|-------------|---------------|--------------|----------------|-------------------------------|-----------|------------|----------------|
| NEOPRENE WHEELS | | | | | | | | |
| 4" | 1-3/8" | 225 | W-CW64-XD | | | 3/8" | 1-1/2" | 60 |
| 4" | 1-3/8" | 250 | W-CW74-XD | | | 3/8" | 1-3/4" | 70 |
| 5" | 1-3/8" | 250 | W-CW65-XD | | | 3/8" | 1-1/2" | 60 |
| 5" | 1-3/8" | 275 | W-CW75-XD | | | 3/8" | 1-3/4" | 70 |
| 5" | 2" | 450/550 | | W-CW405-TD | W-CW405-PD | 1/2" | 2-3/8" | 400 |
| 6" | 1-1/2" | 300 | W-CW76-XD | | | 3/8" | 1-3/4" | 70 |
| 6" | 2" | 500/600 | | W-CW406-TD | W-CW406-PD | 1/2" | 2-3/8" | 400 |
| 8" | 2" | 500/600 | | W-CW408-TD | W-CW408-PD | 1/2" | 2-3/8" | 400 |
| SUPER ROLL NEOPRENE | | | | | | | | |
| 4" | 1-3/8" | 250 | W-CW64-XSR | | | 3/8" | 1-1/2" | 60 |
| 4" | 1-3/8" | 300 | W-CW74-XSR | | | 3/8" | 1-3/4" | 70 |
| 5" | 1-3/8" | 275 | W-CW65-XSR | | | 3/8" | 1-1/2" | 60 |
| 5" | 1-3/8" | 350 | W-CW75-XSR | | | 3/8" | 1-3/4" | 70 |
| 6" | 1-1/2" | 400 | W-CW76-XSR | | | 3/8" | 1-3/4" | 70 |
| SOLID ELASTOMER WHEELS | | | | | | | | |
| 4" | 1-3/8" | 600 | | | W-CW74-PSE | 3/8" | 1-3/4" | 70 |
| 5" | 1-3/8" | 600 | | | W-CW75-PSE | 3/8" | 1-3/4" | 70 |
| 5" | 2" | 1000 | | | W-CW405-PSE | 1/2" | 2-3/8" | 400 |
| 6" | 1-3/8" | 600 | | | W-CW76-PSE | 3/8" | 1-3/4" | 70 |
| 6" | 2" | 1000 | | | W-CW406-PSE | 1/2" | 2-3/8" | 400 |
| 8" | 2" | 1000 | | | W-CW408-PSE | 1/2" | 2-3/8" | 400 |