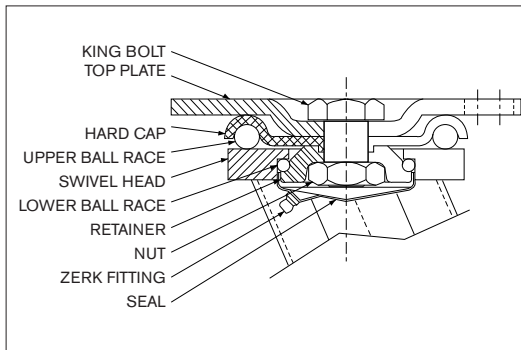


FEATURES



6-708-TU



- 3/4" Axle
- 7/8" Grade 8 King bolt
- Double row ball bearing swivel
- Grease fittings in swivel and axle
- Bright zinc finish
- All swivel parts case hardened to Rockwell 62C

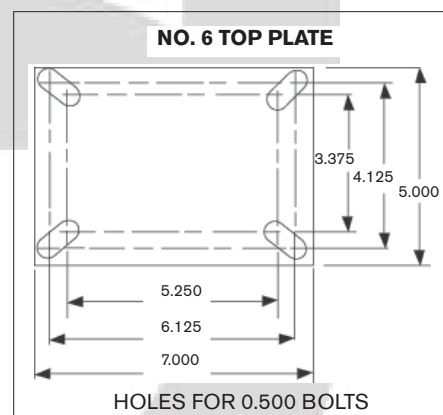
OPTIONS

- Brakes available. Add letter "B".
- Four Position Swivel locks. Add letter "F"
- Brakes and swivel locks cannot be combined on the same caster.



6-708R-TU

INSTALLATION



WHEEL DIAMETER	TREAD WIDTH	LOAD CAP./LBS	BEARING TYPE	SWIVEL MODEL	RIGID MODEL	SWIVEL RADIUS	OVERALL HEIGHT
SOLID ELASTOMER							
5"	2-1/2"	1350	PRECISION BALL	6-705-PSE	6-705R-PSE	5-1/8"	7-1/8"
6"	2-1/2"	1500	PRECISION BALL	6-706-PSE	6-706R-PSE	5-5/8"	8-1/8"
8"	2-1/2"	1650	PRECISION BALL	6-708-PSE	6-708R-PSE	6-5/8"	10-1/4"
10"	2-1/2"	1800	PRECISION BALL	6-710-PSE	6-710R-PSE	7-5/8"	12-1/4"
SEMI-STEEL							
5"	2-1/4"	1500	ROLLER	6-705-TCI	6-705R-TCI	5-1/8"	7-1/8"
6"	2-1/4"	1700	ROLLER	6-706-TCI	6-706R-TCI	5-5/8"	8-1/8"
8"	2-1/4"	1800	ROLLER	6-708-TCI	6-708R-TCI	6-5/8"	10-1/4"
10"	2-1/4"	2200	ROLLER	6-710-TCI	6-710R-TCI	7-5/8"	12-1/4"
V-GROOVED							
6"	2-1/2"	1800	ROLLER	6-706-TCV	6-706R-TCV	5-5/8"	8-1/8"
8"	2-1/2"	2000	ROLLER	6-708-TCV	6-708R-TCV	6-5/8"	10-1/4"
URETHANE							
6"	2-1/4"	1500	ROLLER	6-706-TU	6-706R-TU	6-5/8"	8-1/8"
8"	2-1/2"	1800	ROLLER	6-708-TU	6-708R-TU	6-5/8"	10-1/4"