



31-406-PSE



31-406R-PD

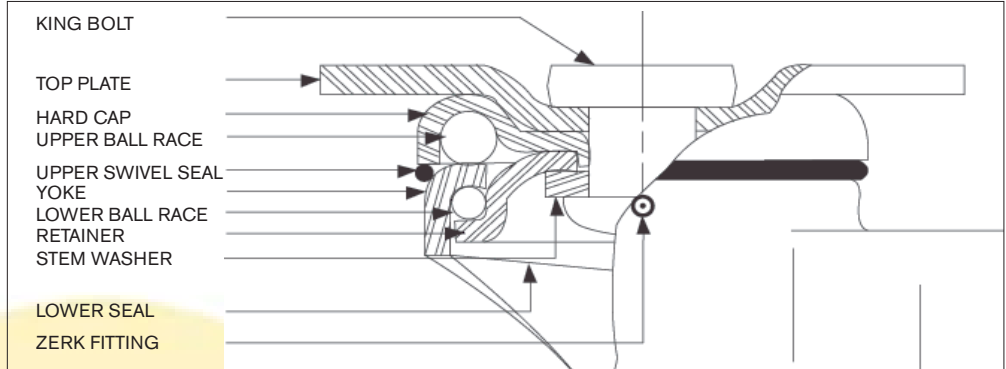


31-406B-TD



31-406F-PSE

FEATURES



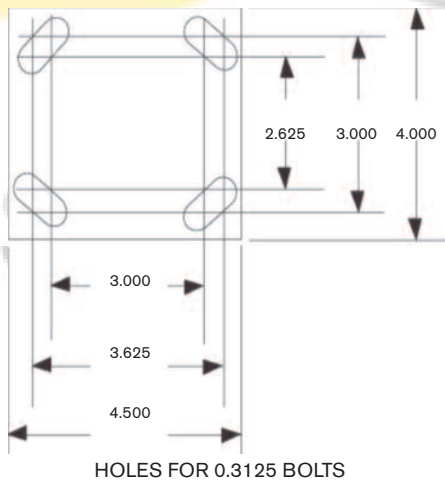
- 1/2" Axle
- 3/4" Rivet
- Double row ball bearing swivel. Both raceways equal diameter
- Standard with swivel seals and grease fittings in swivel and axle
- Bright zinc finish
- All swivel parts case hardened to Rockwell 62C
- Thread guards standard on wheels

OPTIONS

- Brakes, locks wheel and swivel. Available on 4", 5", 6" and 8" models. Add letter "B".
- Four position swivel locks. Add letter "F".
- Brakes and swivel locks cannot be combined on the same caster.

INSTALLATIONS

NO. 31 TOP PLATE (STANDARD ON 400 SERIES)



OPTIONAL TOP PLATES

- NO. 4 TOP PLATE
- NO. IS3 TOP PLATE
- NO. 6 TOP PLATE
- NO. 8 TOP PLATE
- NO. 14 TOP PLATE
- NO. 22 TOP PLATE